

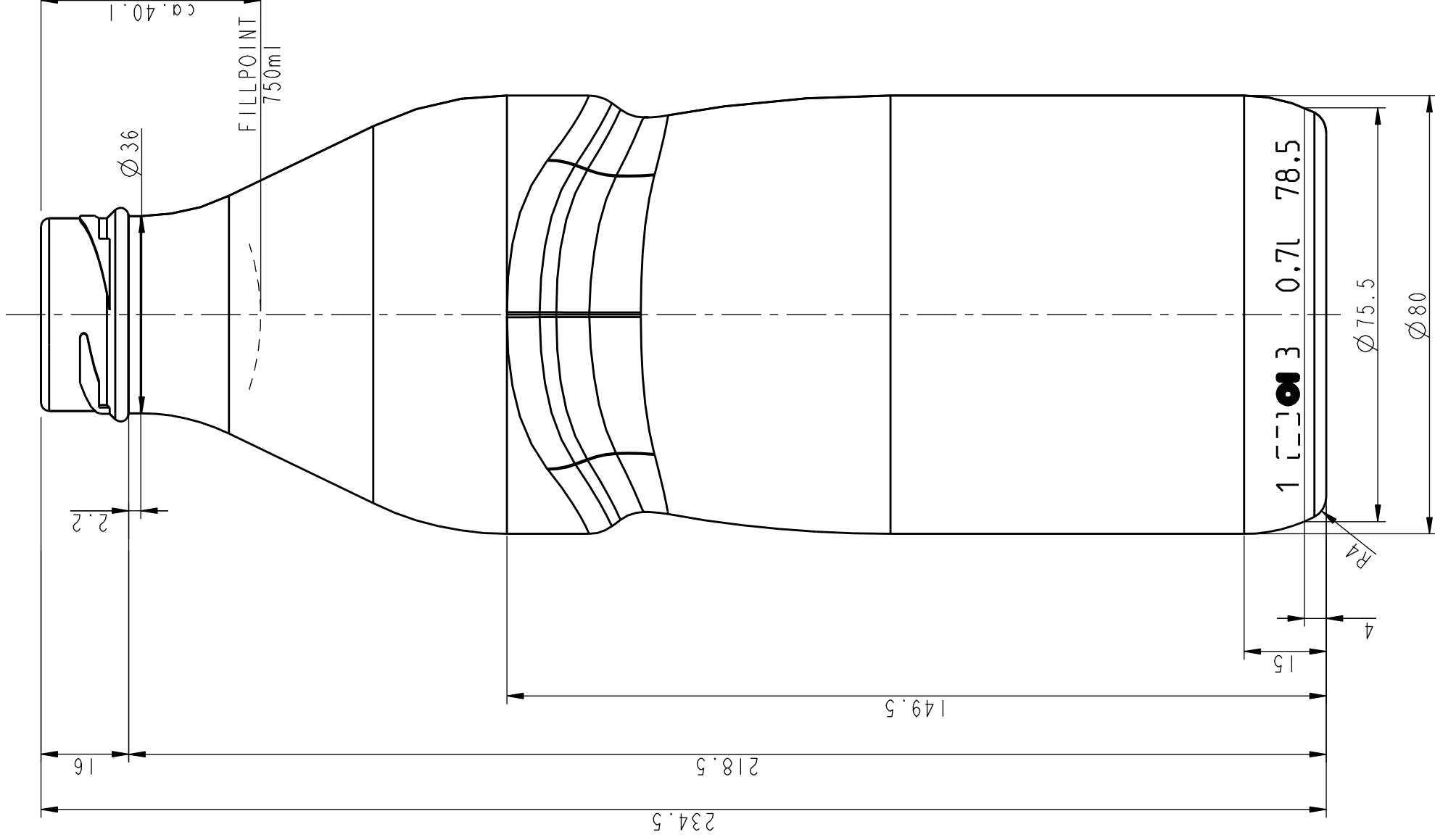
O-I GLASSPACK GmbH & Co. KG
 Goethestrasse 75
 40237 Düsseldorf, Germany
 Tel. +49 0211/2809-0
 +49 0211/932-0

**MARKETING & NPD
 EUROPE**

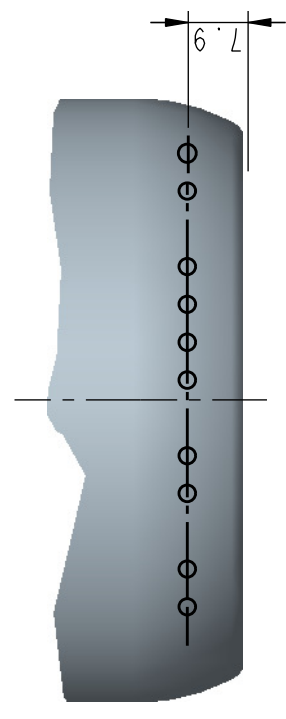
NOTES:
 THIS DRAWING IS THE PROPERTY OF O-I AND
 MUST NOT BE REPRODUCED OR DISCLOSED
 WITHOUT O-I WRITTEN AUTHORIZATION.

ONLY TOLERANCED DIMENSIONS ARE GUARANTEED.

MANUFACTURING MARKINGS SHOWN ARE FOR ILLUSTRATIVE
 PURPOSES ONLY. ACTUAL MARKINGS ON CONTAINER
 MAY DIFFER, DEPENDANT ON LOCAL LEGISLATION.



CODIERUNG 180° VERSETZT
 ZUR INHALTSANGABENGRAVUR



DESIGNSTUDY

CONTAINER OVERFLOW CAPACITY (BRIMFUL)	
785 ml ± 10ml	
CONTAINER RATED CAPACITY (FILLPOINT)	
750 ml APPROX.	
CONTAINER WEIGHT	
330 g APPROX.	
FINISH DESIGNATION TO 38 FD 145 E / EDV 501	MAX GAS VOLUME -- g CO2/l
PROCESS	RETURNABLE NO
	DESIGN REF.
INTERNAL	
750ml NON PRESSURE DRINKS	

DESIGNER	B.S.	DATE	10.08.2009
CHECKED		DATE	
DESIGN NUMBER	D3-750/1	PROJECT	EU 0000